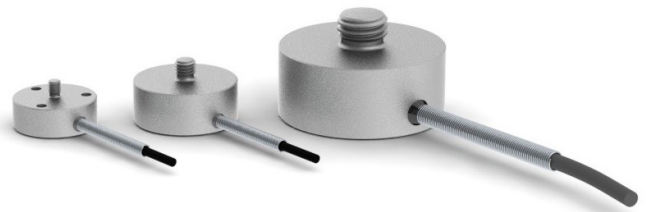


# THREADED LOAD BUTTON

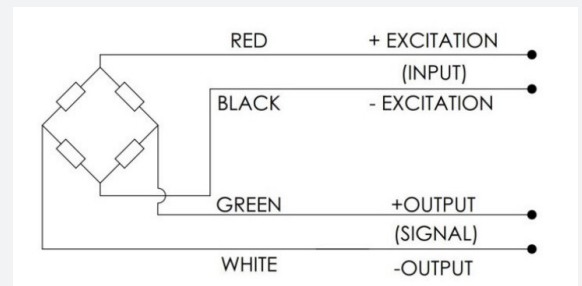
The model is a threaded load button for compression load measurements up to 5000kg/10000lb.

Fully welded cover (for SS load buttons), amplified and digitised versions are available on request. We can also customise this sensor for other thread sizes and cable sizes.



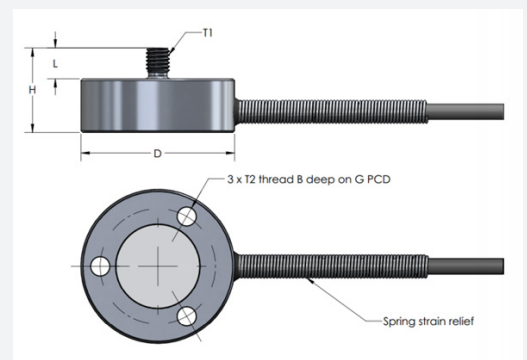
## WIRING

- The sensor is provided a #32 AWG 4-conductor braided shielded cable for 1kg-1000kg & 2lb – 2000lb, 1m cable length.
- The sensor is provided with #28 AWG 4-conductor braided shielded cable for 2000kg, 5000kg, 5000lb & 10000lb, 2m cable length.
- Connector with integrated TEDS chip is available to order.



## DIMENSIONS

RANGE	CAPACITY	D (MM)	H (MM)	L (MM)	T1	T2	B (MM)	G (MM)
CTLB1	1-200kg 2-500lb	20	11	4	M3	M3	7	15
CTLB2	500kg 1000kg 1000lb 2000lb	25.4	15	5	M5	M4	7	18
CTLB3	2000kg 5000kg 5000lb 10000lb	40	25	8	M12	M4	12	32



To find out more visit [hitecsensors.com](http://hitecsensors.com)

 **HITECSENSORS**  
A HUMANETICS COMPANY

# THREADED LOAD BUTTON

## DIMENSIONS CONTINUED

RANGE	CAPACITY	D (MM)	H (MM)	L (MM)	T1	T2	B (MM)	G (MM)
CTLB1	1kg	20	11	4	M3	M3	7	15
	2kg	20	11	4	M3	M3	7	15
	5kg	20	11	4	M3	M3	7	15
	10kg	20	11	4	M3	M3	7	15
	20kg	20	11	4	M3	M3	7	15
	50kg	20	11	4	M3	M3	7	15
	100kg	20	11	4	M3	M3	7	15
	200kg	20	11	4	M3	M3	7	15
CTLB2	500kg	25.4	15	5	M5	M4	7	18
	1000kg	25.4	15	5	M5	M4	7	18
CTLB3	2000kg	40	25	8	M12	M4	12	32
	5000kg	40	25	8	M12	M4	12	32

RANGE	CAPACITY	D (INCH)	H (INCH)	L (INCH)	T1	T2	B (INCH)	G (INCH)
CTLB1	2lb	.787	.433	.157	8-32	4-40	.276	.591
	5lb	.787	.433	.157	8-32	4-40	.276	.591
	10lb	.787	.433	.157	8-32	4-40	.276	.591
	20lb	.787	.433	.157	8-32	4-40	.276	.591
	50lb	.787	.433	.157	8-32	4-40	.276	.591
	100lb	.787	.433	.157	8-32	4-40	.276	.591
	200lb	.787	.433	.157	8-32	4-40	.276	.591
	500lb	.787	.433	.157	8-32	4-40	.276	.591
CTLB2	1000lb	1	.591	.197	1/4-20	8-32	.276	.709
	2000lb	1	.591	.197	1/4-20	8-32	.276	.709
CTLB3	5000lb	1.575	.984	.315	1/2-20	8-32	.472	1.26
	10000lb	1.575	.984	.315	1/2-20	8-32	.472	1.26

To find out more visit [hitecsensors.com](https://hitecsensors.com)

Copyright © HITEC Sensors 2020. This flyer is indicative only. Contact HITEC directly for details.

# THREADED LOAD BUTTON

## SPECIFICATIONS

PARAMETER	RANGE	NOTES
Capacity (kg)	1, 2, 5, 10, 20, 50, 100, 200, 500, 1000, 2000, 5000	
Capacity (lb)	2, 5, 10, 20, 50, 100, 200, 500, 1000, 2000, 5000, 10000	
Output (mV/V)	1± 20% for 1kg - 20kg and 2lb - 50lb 1.5 ± 20% for 50kg - 5000kg and 100lb - 10000lb	Amplified and digitised versions available to order
Input Impedance	350 Ω nominal (700 Ω nom. For 2000kg, 5000kg, 5000lb & 10000lb)	
Output Impedance	350 Ω nominal (700 Ω nom. For 2000kg, 5000kg, 5000lb & 10000lb)	
Allowable Maximum Load (%)	150 full scale	No effect on performances
Non-Linearity (%)	± 0.5 FS max.	
Hysteresis (%)	± 0.3 FS max.	
Repeatability (%)	± 0.1 FS max.	
Total Error (%)	± 0.8 FS max.	Non-linearity and hysteresis
Zero Balance (%)	2 FS max.	(10% FS MAX for welded versions)
Zero Temperature Coefficient (%)	0.01 FS/°C	
Span Temperature Coefficient (%)	0.02 of load/°C	
Compensated Temperature (°C)	-15 to +70	Wider range available to order
Operating Temperature (°C)	-20 to +80	Wider range available to order
Material	Al for 1kg - 20kg and 2lb - 50lb SS for 50kg - 5000kg and 100lb - 10000lb	
IP Rating	IP64	
Excitation (V)	5, 10	

HITEC Sensor Developments, Inc. | 10 Elizabeth Drive  
Chelmsford, MA 01824 | United States of America  
T +1 978 742 9032 | F +1 978 742 9033

[hitecsensors.com](http://hitecsensors.com)